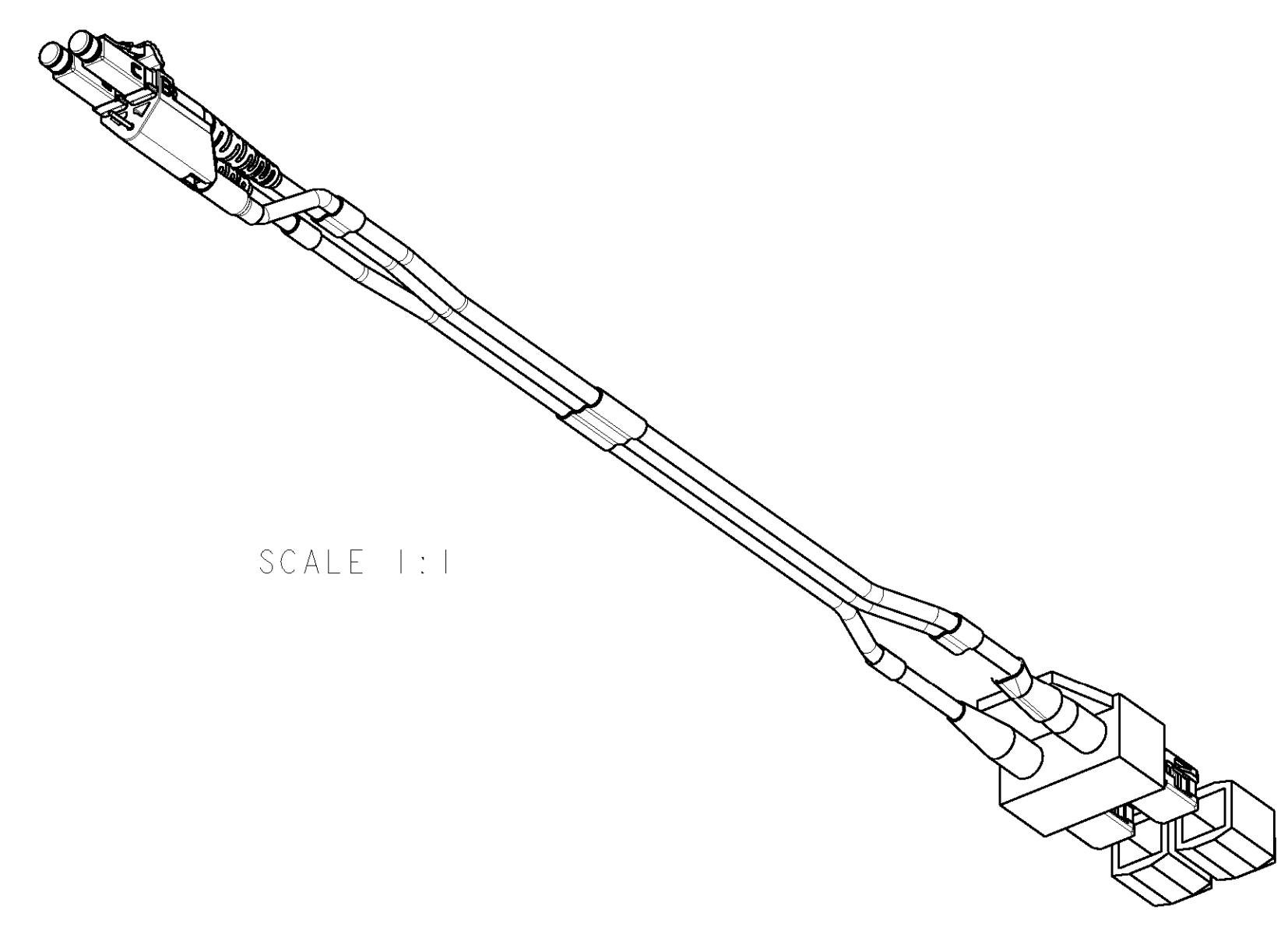
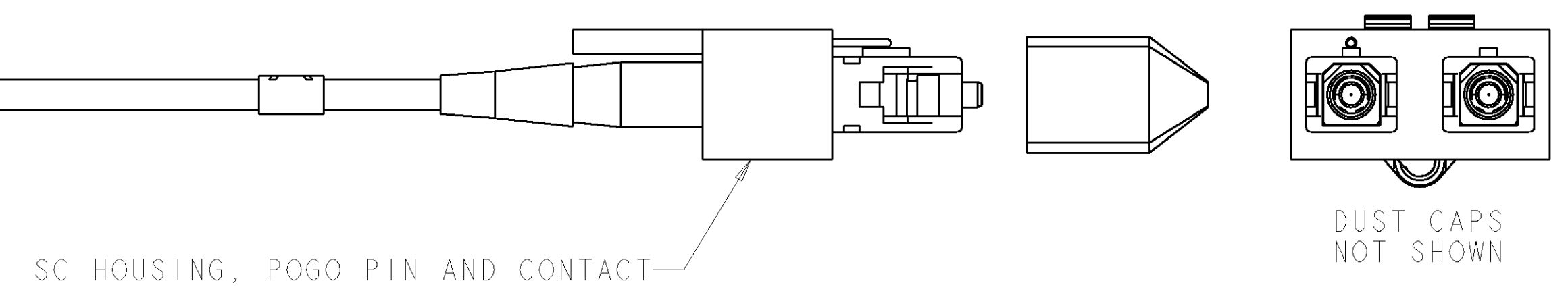
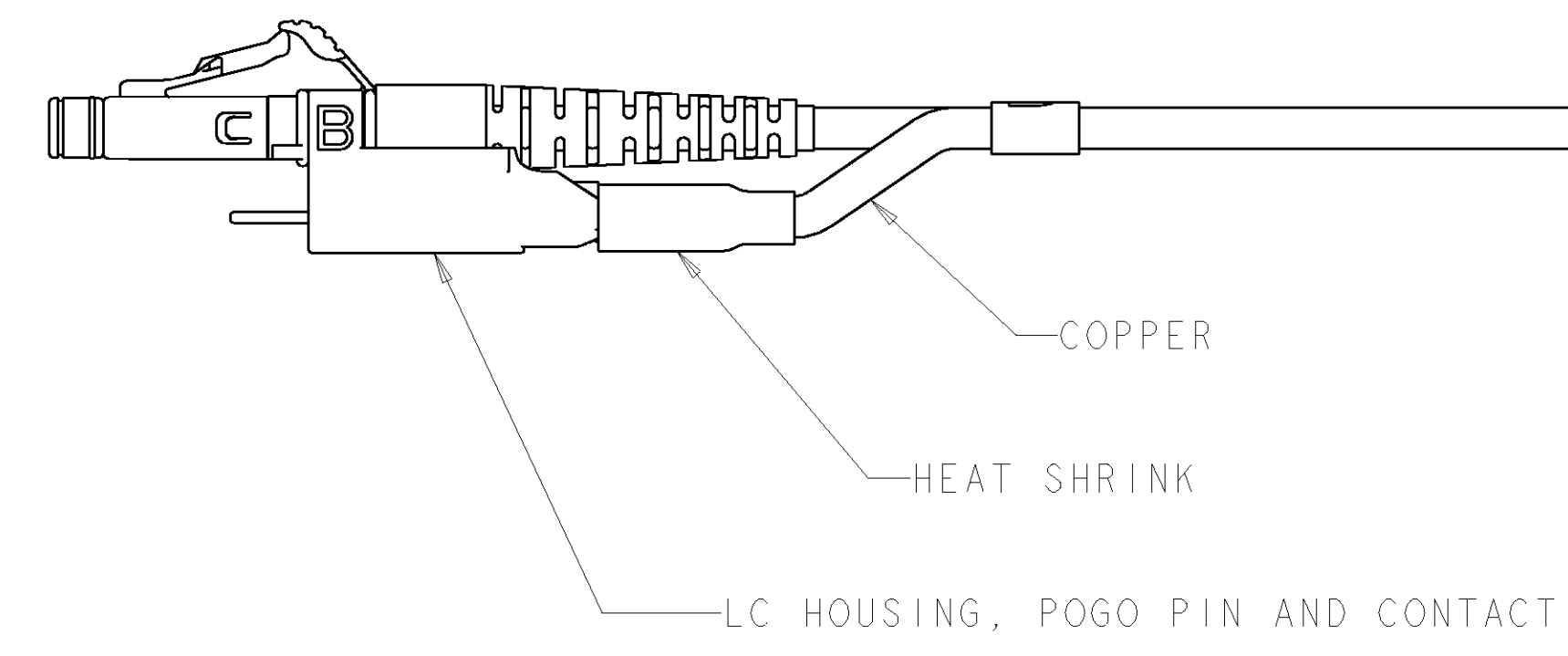
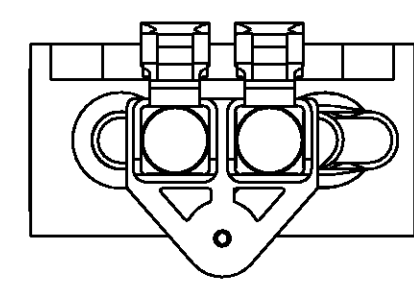
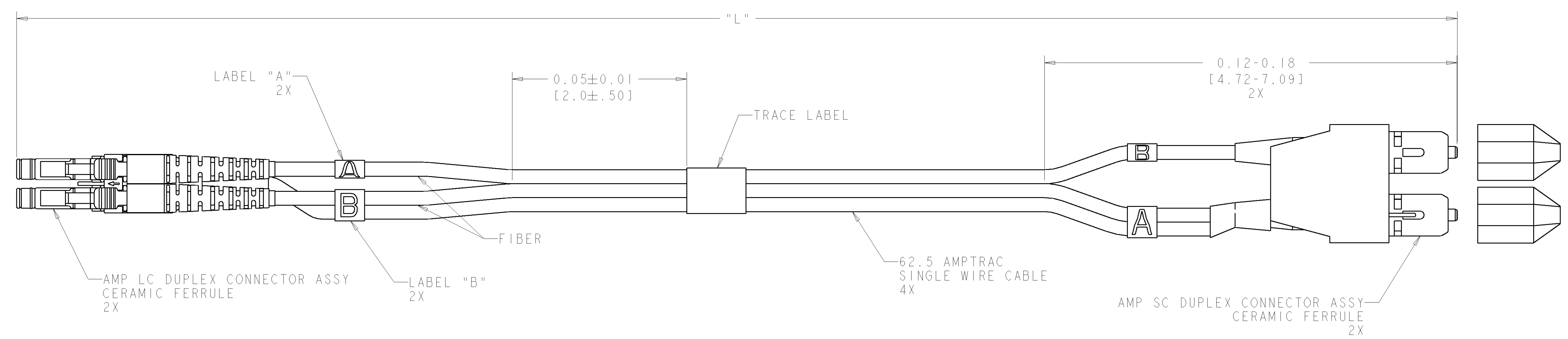


CONNECTOR LOSS (dB)	"L" METER (INCHES)	PART NUMBER
.52	10.0±.15 [393.7±6]	1-1435795-0
.52	7.0±0.08 [275.6±3]	1435795-7
.51	5.0±.08 [196.9±3]	1435789-5
.50	3.0±.05 [118.1±2.0]	1435789-3
.50	2.0±.05 [78.7±2.0]	1435789-2
.50	1.0±.05 [39.4±2.0]	1435789-1

LOC	DIST	REVISIONS					
HM	00	P	LTR	DESCRIPTION	DATE	DWN	APVD
		A		ECR-05-002641	31MAY2005	JM	MD
		B		REV: ECO-05-015208	12DEC2005	GG	MD



SCALE 1:1

- ⚠ DIMENSIONS IN [] ARE IN INCHES.
- ⚠ MAXIMUM CONNECTOR LOSS IS EQUAL TO .50 dB PLUS CABLE ATTENUATION.

<small>THIS DRAWING IS UNPUBLISHED. IT IS THE PROPERTY OF TYCO ELECTRONICS CORPORATION. IT IS TO BE KEPT IN CONFIDENCE AND NOT TO BE REPRODUCED OR TRANSMITTED IN ANY FORM OR BY ANY MEANS, ELECTRONIC OR MECHANICAL, INCLUDING PHOTOCOPYING, RECORDING, OR BY ANY INFORMATION STORAGE AND RETRIEVAL SYSTEM. WITHOUT THE WRITTEN PERMISSION OF TYCO ELECTRONICS CORPORATION.</small>		DWN J MCNEAL 31MAY2005 CRK L SMITH 31MAY2005 APVD M DELPHIAS 31MAY2005	tyco Electronics Tyco Electronics Harrisburg, PA 17105-3608
DIMENSIONS: METERS 	TOLERANCES UNLESS OTHERWISE SPECIFIED: 0 PLC ± 1 PLC ± 2 PLC ± 3 PLC ± 4 PLC ± ANGLES ± FINISH	NAME PRODUCT SPEC APPLICATION SPEC WEIGHT CUSTOMER DRAWING	NAME CABLE ASSY FIBER OPTIC AMPTRAC SC TO LC, DUPLEX, 62.5um, MM SIZE CAGE CODE DRAWING NO RESTRICTED TO
MATERIAL: - FINISH: -		WEIGHT: - CUSTOMER DRAWING: -	SCALE 2:1 SHEET 1 OF 1 REV B